



# PNEUMATIC ACTUATORS

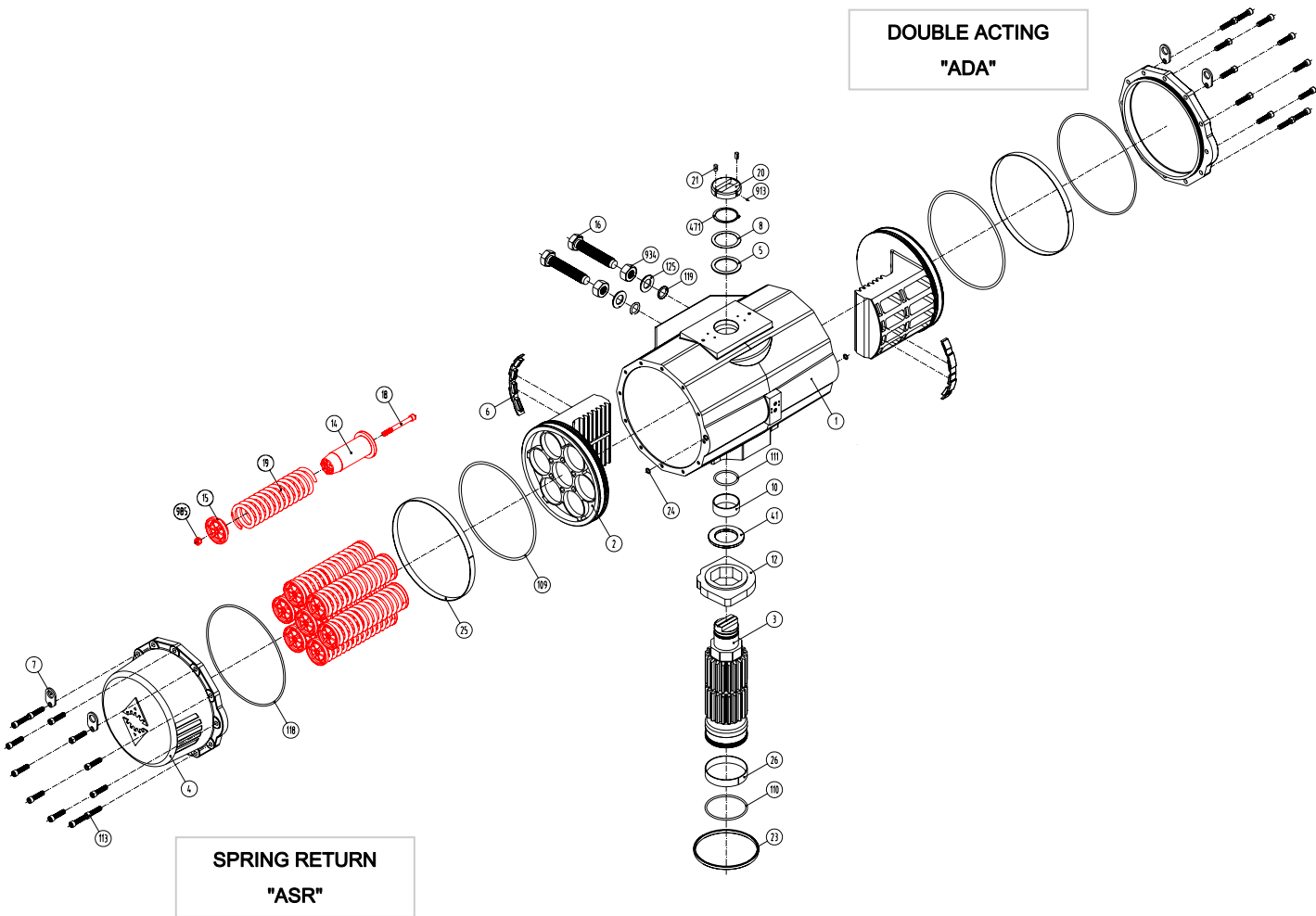
## ACT-4000

---

**SPRING RETURN**  
**"ASR"**

**DOUBLE ACTING**  
**"ADA"**

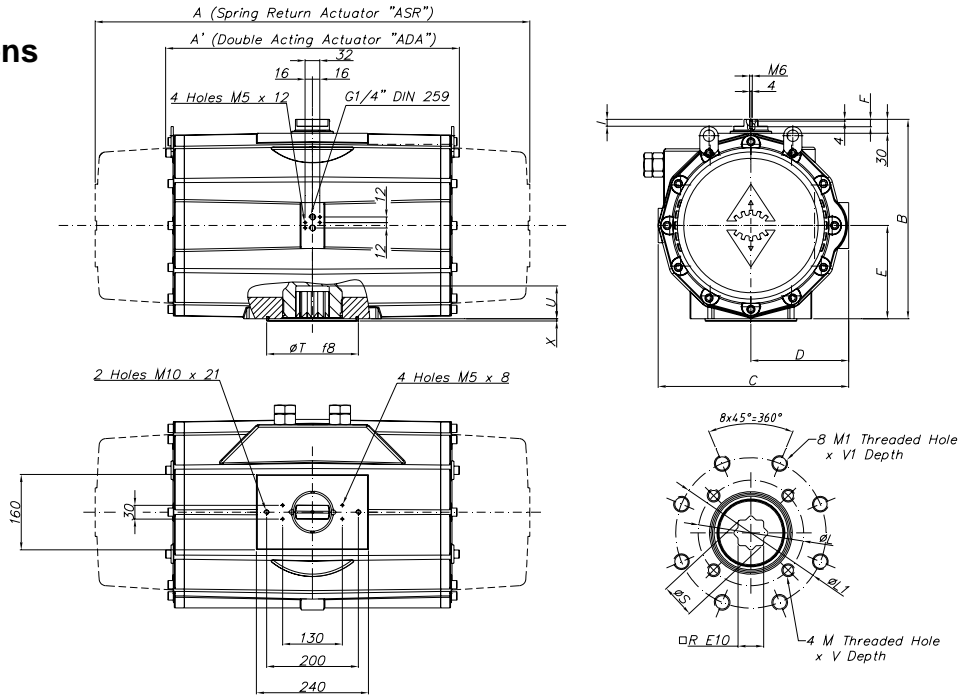
- LCIE 05 AR 022



Item	Description	Material	Item	Description	Material
1	Body	Aluminium Hard Anodized	23	Centering Ring	Nickel Plated Carbon Steel
2	Piston	Aluminium	24	Plug Air Stop	NBR
3	Pinion	Nickel Plated Carbon Steel	25	Slide Guide	Resin
4	End Caps	Aluminium Epoxy Coated	26	Lower Pinion Bearing	Hostalen
5	Soft Pinion Washer	Nylon 6.6	41	Stop washer pinion	AISI 304
6	Slide Piston	Polyamide	109	O-Ring	NBR
7	Lug	Nickel Plated Carbon Steel	110	O-Ring	NBR
8	Pinion Washer	Stainless Steel	111	O-Ring	NBR
10	Upper Pinion Bearing	Hostalen	113	Bolt	Stainless Steel
12	Stop	A-216 WCB	118	O-Ring	NBR
14	(*) Spring's Long Support	Nylon 6.6	119	O-Ring	NBR
15	(*) Spring's Short Support	Nylon 6.6	125	Washer	Stainless Steel
16	Leveling Screw	A4 -70	913	Set Screw	Stainless Steel
18	(*) Bolt	Stainless Steel	471	External Circlip	Stainless Steel
19	(*) Spring	DIN 2076 -D-5.6	934	Nut	Stainless Steel
20	Position Indicator	Polyamide	985	(*) Nut	Stainless Steel
21	Cam	Polyamide			

(\*) Only for serie **ASR**

### Dimensions



A	A'	B	C	D	E	F	I	R	ØS	ISO 5211	ØL	M x V	ISO 5211	ØL1	M1 x V1	ØT	X	U
940	630	434	415	213	201	16	15	55	72,5	F16	165	M20x30	F25	254	M16x30	200	4	60

(\*) Dimensions in mm

### General Characteristics

GENERAL CHARACTERISTICS	Serie ADA	Actuator	Double	Acting
	Serie ASR	Actuator	Spring	Return
DESIGN STANDARDS				
Mounting of solenoid valves	NAMUR Std.			
Mounting of devices	NAMUR VDI		NAMUR VDE 3845 Std.	
Coupling according	ISO 5211		DIN 3337	
Marking	CE		Ex II 2 G D c LCIE 05 AR 022	
TESTS AND CERTIFICATES				
Quality Assurance	ISO 9001			

Max. Pressure	Rotation	Screw stroke Adjustment	Chamber Ø (mm)	Air Volume (L)		Stroke Time (Sec. (A))		Operating Temperature (°C) (B)		
				Opening	Closing	Opening	Closing	STD (standard)	HT (high temp.)	LT (low temp.)
8 bar	90° ±5°	For 1° Need 1/3 Turn	340	33,2	27,5	D 3,0	D 3,5	NBR "O" Ring	FPM "O" Ring	Silicone "O" Ring
						S 4,3	S 5,0	-20° to +80°	-15° to +150°	-40° to +80°

### Double Acting Actuator "ADA" Torque Output in Nm

TYPE	Output Torque For Double Acting in Nm												Weight (Kg)								
	3 bar		3,5 bar		4 bar		4,5 bar		5 bar		5,5 bar			6 bar (A)		6,5 bar		7 bar		8 bar	
D	2408	2809	3210	3612	4013	4414	4816	5217	5618	6421	129,4										

### Spring Return Actuator "ASR" Torque Output in Nm

TYPE	Output Torque For Spring Return in Nm																Spring stroke		Weight (Kg)						
	3 bar		3,5 bar		4 bar		4,5 bar		5 bar		5,5 bar		6 bar (A)		6,5 bar		7 bar			8 bar		END	STAR		
S06	1763	1262	2165	1663	2566	2065	2967	2466	3369	2867	3770	3269											758	1348	158,7
S08	1549	880	1950	1282	2351	1683	2752	2084	3154	2485	3555	2887	3956	3288	4358	3689	4759	4091	5068	4399	1011	1797	164,7		
S10					2136	1301	2538	1702	2939	2104	3340	2505	3742	2906	4143	3307	4544	3709	4853	4017	1264	2246	170,8		
S12 (A)							2323	1320	2724	1722	3125	2123	3527	2524	3928	2926	4329	3327	4638	3636	1516	2696	176,9		
S14											2911	1741	3312	2142	3713	2544	4115	2945	4423	3254	1769	3145	182,9		